

HPCS-20

Features

- Increases processing efficiency.
- Extends tool life for 3-5 times.
- Increases machining accuracy.
- Stabilises quality of machining.



HPCS - 20 - 70 - A - 10

Ordering Code

HPCS - 20 - 70 - A - 10

1 2 3 4 5

1 High Pressure Coolant System

2 Cutting Fluid Flow

- 20 : 20L/min

3 Max Pressure

- 70 : 7 MPa

4 Motor Type

- A : Horizontal Motor • B : Vertical Motor

5 Design Version



HPCS - 20 - 70 - B - 10

Specifications

Voltage	220/380V 50/60Hz	
Motor capacity	3HP*6P	
Max Loading	220V	9.7 A
	380V	5.6 A
Diaphragm Pump	G10XKC (WANNER)	
Safety Relief Valve	C22DBB (WANNER)	
Max Pressure	7 MPa	
Cutting Fluid Flow	20 L/min	
	1.2 m ³ /h	
Horizontal Dimension	1200x600x950 mm	
Vertical Dimension	900x600x1150 mm	
Filter Bag	DL - 1P1S	
PP Filter Bag	20 μm	
Suggest Operating Oil Temperature	Motor	The best temperature is 40°C. (Don't overtake 70 °C)
	Pump	The best temperature is 35°C. (Don't overtake 70 °C)
Horizontal Type Weight	240 Kg	
Vertical type Weight	250 Kg	

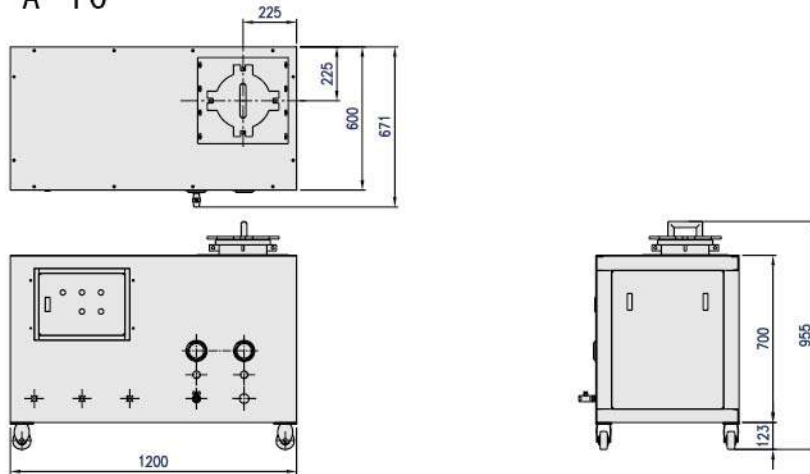
Note:

1. Fill the cutting fluid in the filter before testing run.
2. Replace the filter when the replacement signal in the machine centre in on.

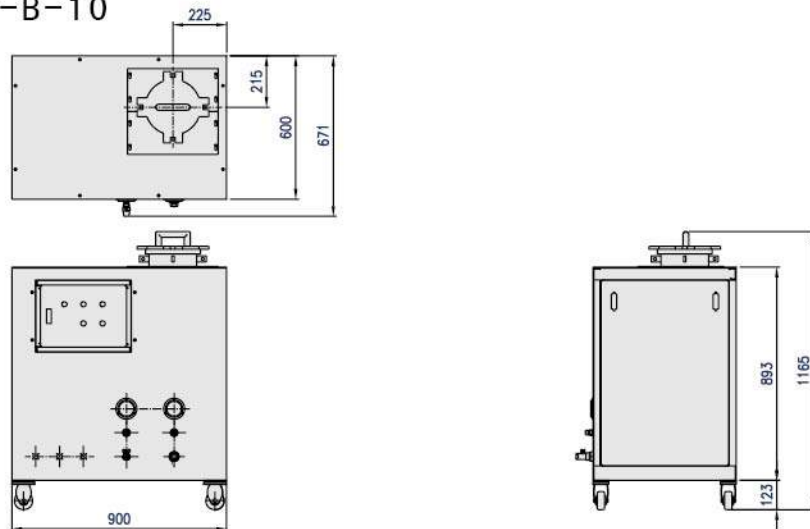
HPCS-20

Features

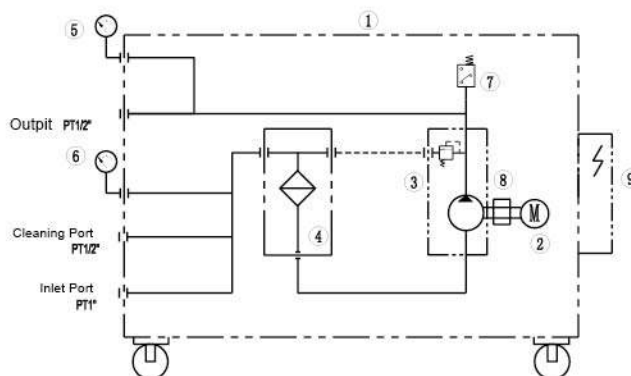
HPCS-20-70-A-10



HPCS-20-70-B-10



Graphic Symbols



1. Tank
2. Horizontal Motor
3. Diaphragm Pump
4. Filter
5. Pressure Gauge
6. Negative Pressure Gauge
7. Pressure Switch
8. Coupling
9. Control Panel