

# PRESSURE BRAKE VALVE

## SANDWICH PLATE DESIGN MBV03 SIZE 10

### FEATURES :

- Highest performance in NG 10
- Direct operated pressure relief valves
- Sandwich plate design
- 2 pressure adjusting ranges.
- 3 optional effective directions of flow
- With one or two pressure relief cartridges
- Connections to DIN, ISO and CETOP



Model: MBV-03-W-3-10

### SPECIFICATION :

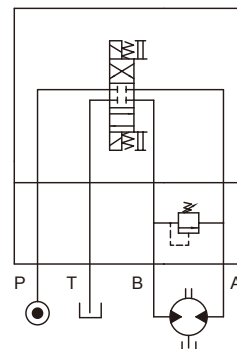
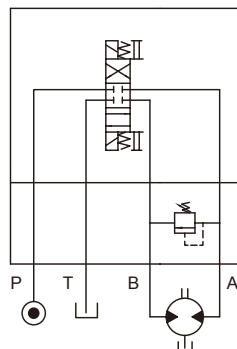
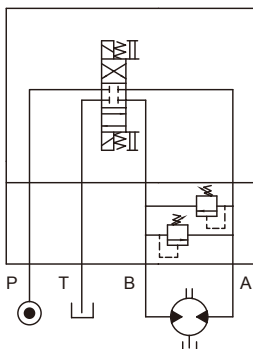
Maximum Flow Rate	30 l/Min (7.9 GPM)	
Maximum working pressure	320 Bar (4570 PSI)	
Spring cracking pressure	1:	8~70 Bar
	3:	35~210 Bar
Ambient Temperature Range	-20°C ~ +50°C	
Hydraulic Fluid Temperature Range	-20°C ~ +70°C	
Viscosity Range	15~400 mm <sup>2</sup> /S	
Hydraulic Oil	ISO VG32, 46, 68	
Fluid Cleanliness	25 μm	
Mounting Pattern	ISO 4401-AC-05-4-A	
Weight	T Type	4.8 kg
	A Type	4.0 kg
	B Type	4.0 kg

### HYDRAULIC CONFIGURATION:

■ MBV-03-W-\*-10

■ MBV-03-A-\*-10

■ MBV-03-B-\*-10



## PRESSURE BRAKE VALVE SANDWICH PLATE DESIGN MBV03 SIZE 10

ORDERING CODE :

M BV - 03 - W - 1 - 10 - \*\*  
 1 2 3 4 5 6 7

**1 SANDWICH PLATE DESIGN**

**2 PRESSURE BRAKE VALVE**

**3 NOMINAL VALVE SIZE:**

NG 10, CETOP 5 and ISO 4401-05 (NFPA-D05/DIN 24340)

**4 CONFIGURATION**

W: double; acting on ports A and B, with the relieved pressure cross-discharged

A: single; acting on port A, discharge to port B

B: single; acting on port B, discharge to port A

**5 SPRING CRACKING PRESSURE**

1: 8~70 Bar

3: 35~210 Barr

**6 DESIGN NUMBER**

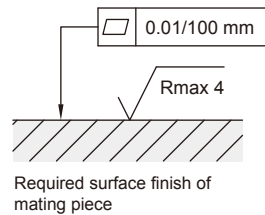
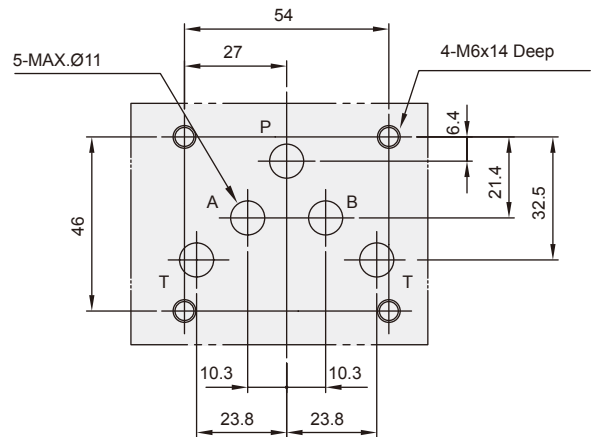
10: with handle

20: without handle

**7 OPTIONAL INQUIRY**

**INSTALLATION DIMENSIONS:**

(Machined valve mounting face with position of ports)

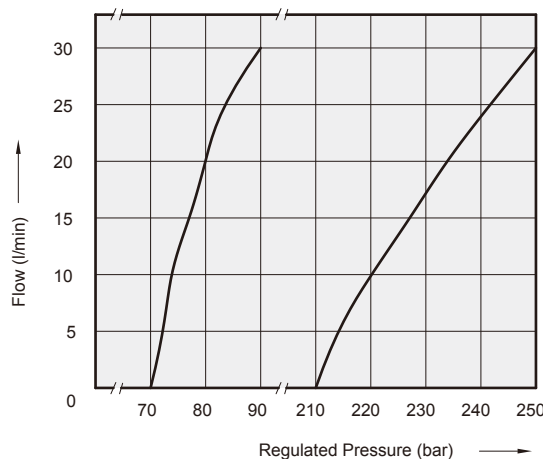


**PERFORMANCE CURVES:**

Viscosity of Hydraulic Fluid: 32 mm<sup>2</sup>/s

Regulated pressure V.S. Flow Diagram

■ MBV-03-\*. \*-10

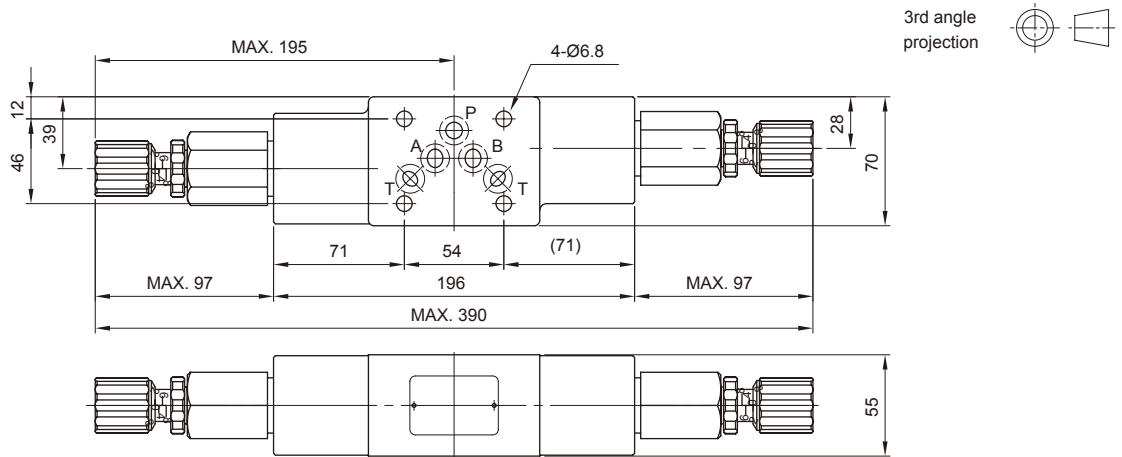


# PRESSURE BRAKE VALVE

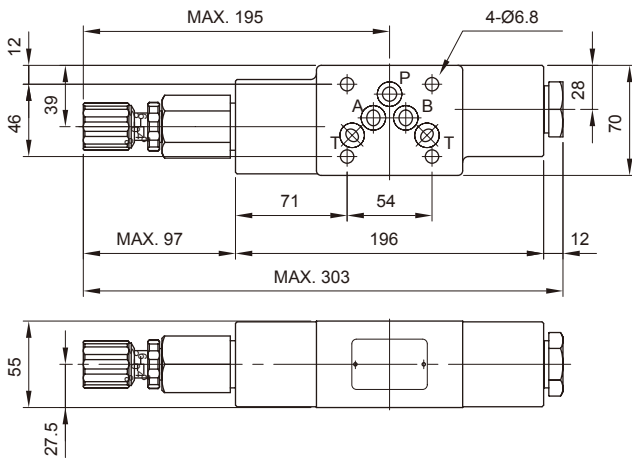
## SANDWICH PLATE DESIGN MBV03 SIZE 10

DIMENSIONS :

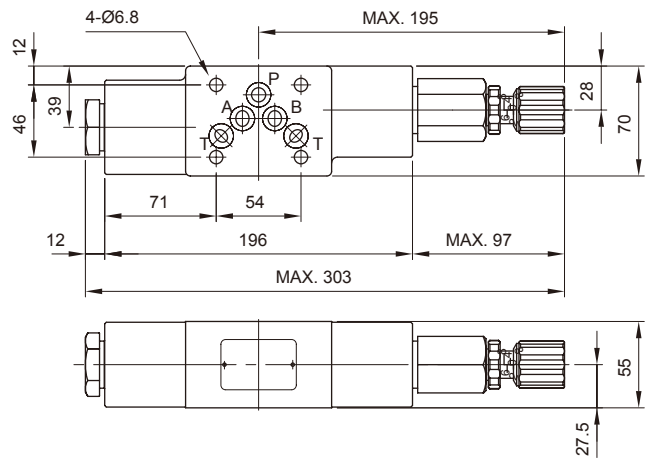
■ MBV-03-W-\*-10



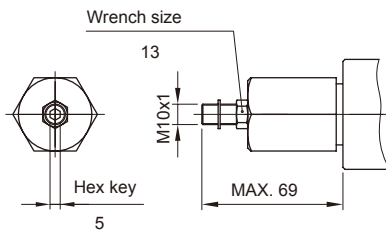
■ MBV-03-A-\*-10



■ MBV-03-B-\*-10

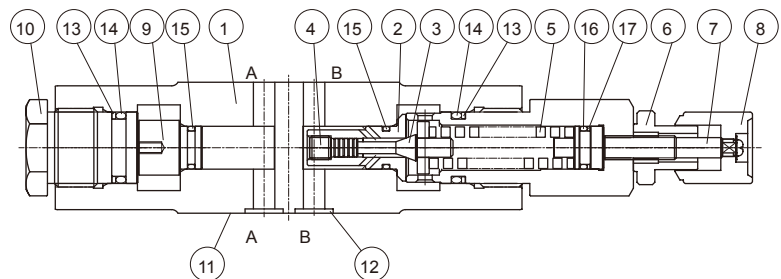


■ MBV-03-\*-\*-20



### CROSS SECTION DRAWING :

■ MBV-03-B-\*-10



- |                       |   |
|-----------------------|---|
| 1. Body,              | 10. Bushing   |
| 2. Seat               | 11. Connections to DIN 24340 from A10; valve fixing screws M6x90 DIN 912-10.9, tightening torque 12~15 Nm |
| 3. Poppet             | 12. O-ring AS586-014(Hs90) for ports A, B, P and T  |
| 4. Orifice            | 13. O-ring BU-P24   |
| 5. Adjustment spring, | 14. O-ring 1A-P24   |
| 6. Locking nut,       | 15. O-ring 1B-P14   |
| 7. Setting screw      | 16. O-ring 1A-P14   |
| 8. Adjustment element | 17. O-ring BU-P14   |
| 9. Plug               |   |