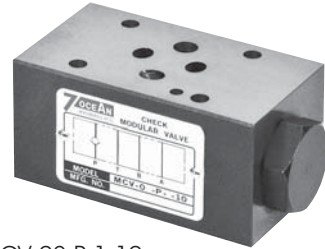


CHECK VALVE

SANDWICH PLATE DESIGN MCV02 SIZE 6

FEATURES :

- Highest performance in NG 6
- Sandwich plate design
- Direct operated check valve
- 5 different isolating functions
- Connections to DIN, ISO and CETOP



B

MCV02 SIZE 6

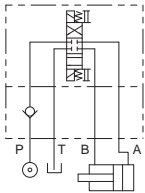
SPECIFICATION :

Model: MCV-02-P-1-10

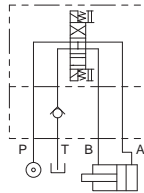
Maximum Flow Rate		50 l/Min (13.2 GPM)
Maximum working pressure		320 Bar (4570 PSI)
Spring cracking pressure	1:	0.4 Bar (5.7 PSI)
	2:	3.5 Bar (50 PSI)
	3:	5.0 Bar (71 PSI)
Ambient Temperature Range		-20°C~+50°C
Hydraulic Fluid Temperature Range		-20°C~+70°C
Viscosity Range		15~400 mm ² /S
Hydraulic Oil		ISO VG32, 46, 68
Fluid Cleanliness		25 μm
Mounting Pattern		ISO 4401-AB-03-4-A
Weight	P Type	0.97 kg
	T Type	0.97 kg
	A Type	1.2 kg
	B Type	1.2 kg
	W Type	1.4 kg

HYDRAULIC CONFIGURATION:

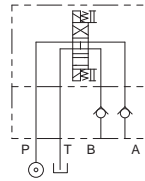
■ MCV-02-P-*-10



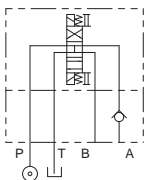
■ MCV-02-T-*-1000



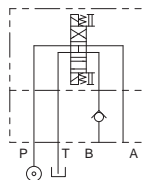
■ MCV-02-W-*-10



■ MCV-02-A-*-10



■ MCV-02-B-*-10



CHECK VALVE

SANDWICH PLATE DESIGN MCV02 SIZE 6

ORDERING CODE :

M CV - 02 - P - 0 - 10 - **

1 2 3 4 5 6 7

1 SANDWICH PLATE DESIGN

2 CHECK VALVE

3 NOMINAL VALVE SIZE:

NG 6, CETOP 3 and ISO 4401-03 (NFPA-D03/DIN 24340)

4 CONFIGURATION

P: single; acting on port P

T: single; acting on port T

W: double; acting on ports A & B

A: single; acting on port A

B: single; acting on port B

5 SPRING CRACKING PRESSURE

1: 0.4 Bar

2: 3.5 Bar

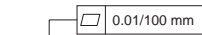
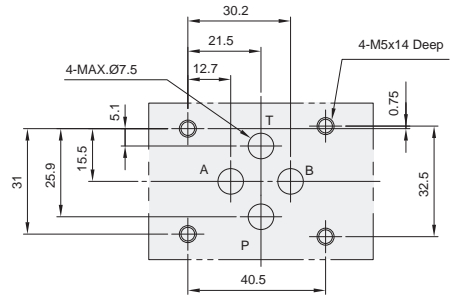
3: 5.0 Bar

6 DESIGN NUMBER

7 OPTIONAL INQUIRY

INSTALLATION DIMENSIONS:

(Machined valve mounting face with position of ports)



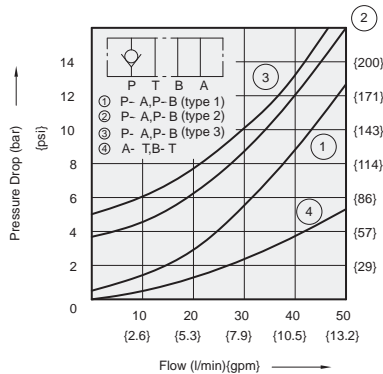
Required surface finish of mating piece

PERFORMANCE CURVES:

Viscosity of Hydraulic Fluid: 32 mm²/s

Pressure Drop Characteristic

■ MCV-02-P-*.10

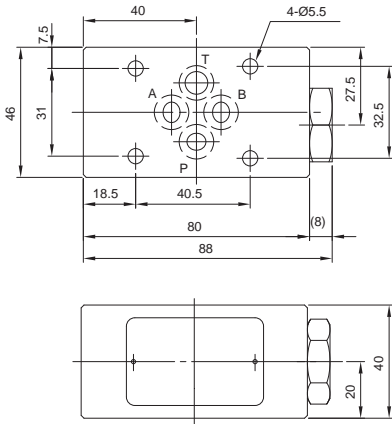


CHECK VALVE

SANDWICH PLATE DESIGN MCV02 SIZE 6

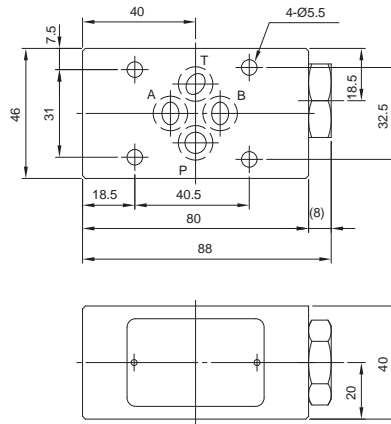
DIMENSIONS :

■ MCV-02-P-*-10



■ MCV-02-T-*-10

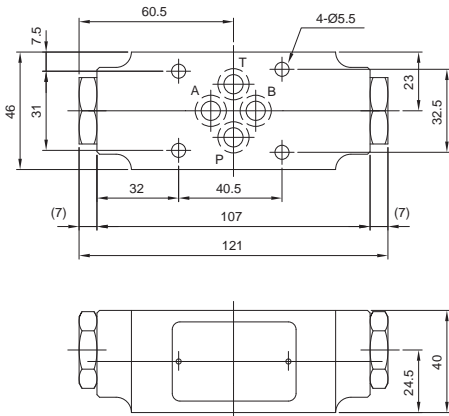
3rd angle projection



■ MCV-02-A-*-10

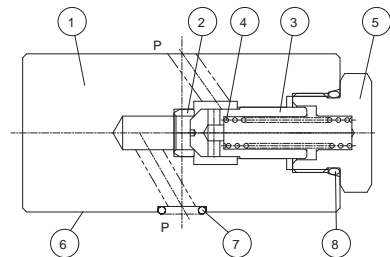
MCV-02-B-*-10

MCV-02-W-*-10



CROSS SECTION DRAWING :

■ MCV-02-P-*-10



1. Body
2. Seat
3. Poppet
4. Spring
5. Nut
6. Connections to DIN 24340 from A6:
valve fixing screws M5x85 DIN 912-10.9
tightening torque 8-9 Nm
7. O-ring 1B-P9
for ports A,B,P and T
8. O-ring 1B-P18

B

MCV02 SIZE 6