

FLOW REGULATOR WITH CHECK VALVE

SANDWICH PLATE DESIGN MTC02 SIZE 6

FEATURES :

- Highest performance in NG 6
- Sandwich plate design
- For limiting the main or pilot fluid flow of 2 actuator connections
- For meter-in or meter-out control
- Connections to DIN, ISO and CETOP



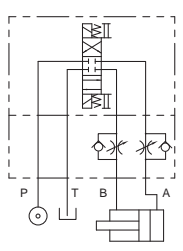
Model: MTC-02-W-O-10

SPECIFICATION :

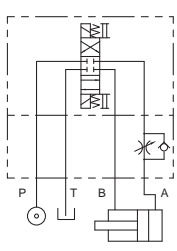
Maximum Flow Rate		50 l/Min (13.2 GPM)
Maximum working pressure		320 Bar (4570 PSI)
Check valve cracking pressure		0.8 Bar (11.4 PSI)
Ambient Temperature Range		-20°C~+50°C
Hydraulic Fluid Temperature Range		-20°C~+70°C
Viscosity Range		15~400 mm ² /S
Hydraulic Oil		ISO VG32, 46, 68
Fluid Cleanliness		25 μm
Mounting Pattern		ISO 4401-AB-03-4-A
Weight	W Type	1.3 kg
	A Type	1.2 kg
	B Type	1.2 kg

HYDRAULIC CONFIGURATION:

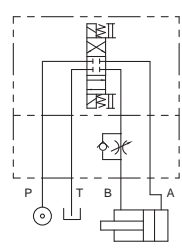
■ MTC-02-W-O-10



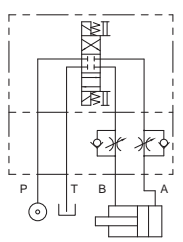
■ MCT-02-A-O-10



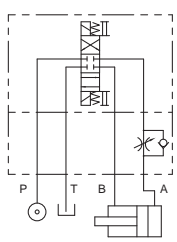
■ MTC-02-B-O-10



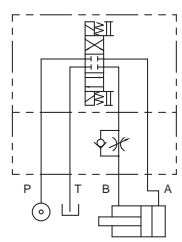
■ MTC-02-W-I-10



■ MTC-02-A-I-10



■ MTC-02-B-I-10



FLOW REGULATOR WITH CHECK VALVE SANDWICH PLATE DESIGN MTC02 SIZE 6

ORDERING CODE :

M TC - 02 - W - 0 - 10 - **

1 2 3 4 5 6 7

1 SANDWICH PLATE DESIGN

2 FLOW REGULATOR WITH CHECK VALVE

3 NOMINAL VALVE SIZE:

NG 6, CETOP 3 and ISO 4401-03 (NFPA-D03/DIN 24340)

4 CONFIGURATION

W: double; acting on ports A & B

A: single; acting on port A

B: single; acting on port B

5 CONTROL WAY

O: Meter out, control of flow discharged from the actuator

I: Meter in, control of flow entering the actuator

6 DESIGN NUMBER

10: with handle

20: without handle

7 OPTIONAL INQUIRY

B

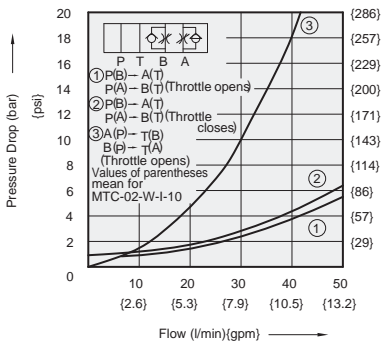
MTC02 SIZE 6

PERFORMANCE CURVES:

Viscosity of Hydraulic Fluid: 32 mm²/s

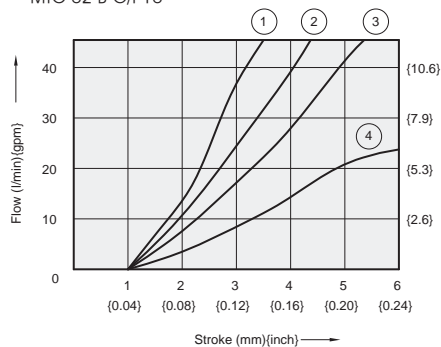
Pressure Drop Characteristic

■ MTC-02-W-O-10
(MTC-02-W-I-10)



Stroke V.S. Flow Diagram

■ MTC-02-W-O/I-10
MTC-02-A-O/I-10
MTC-02-B-O/I-10



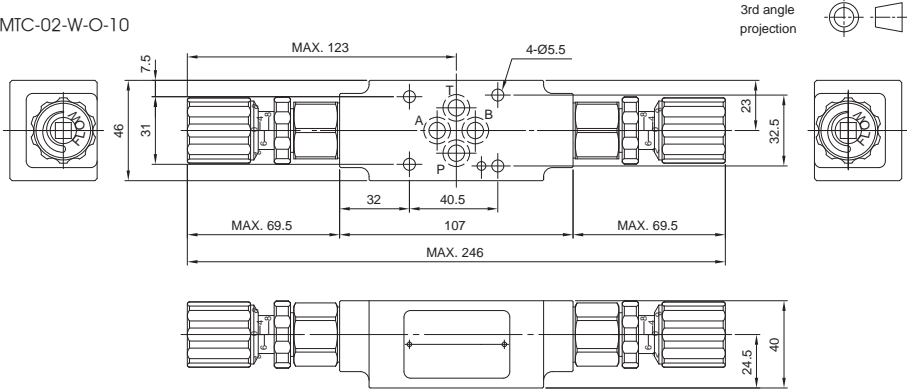
① Pressure Difference = 140 bar {2000psi} ③ Pressure Difference = 35 bar {500psi}
② Pressure Difference = 70 bar {1000psi} ④ Pressure Difference = 10 bar {143psi}

FLOW REGULATOR WITH CHECK VALVE

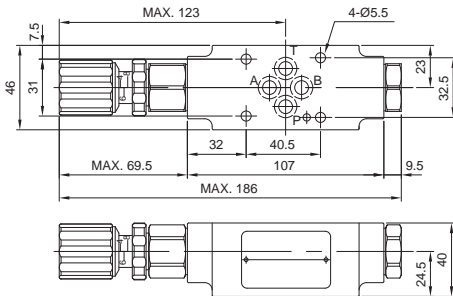
SANDWICH PLATE DESIGN MTCO2 SIZE 6

DIMENSIONS :

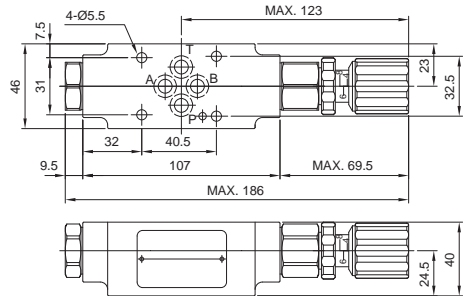
■ MTC-02-W-O-10



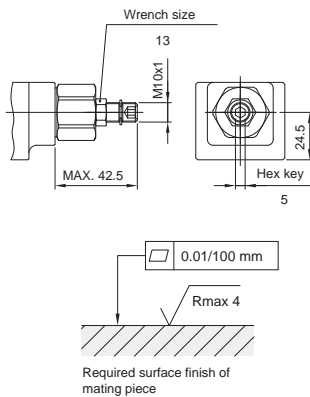
■ MTC-02-A-O-10



■ MTC-02-B-O-10

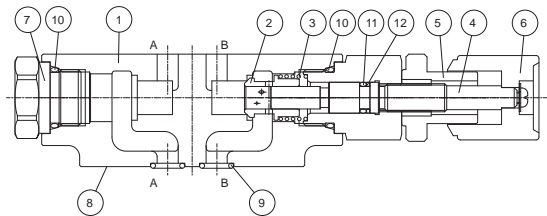


■ MTC-02-*O-20



CROSS SECTION DRAWING :

■ MTC-02-B-O-10



1. Body
2. Throttle
3. Spring
4. Setting screw
5. Locking nut
6. Adjustment element
7. Nut
8. Connections to DIN 24340 from A6; valve fixing screws M5 DIN 912-10.9 tightening torque 8~9 Nm
9. O-ring 1B-P9 for ports A,B,P and T
10. O-ring 1B-P18
11. O-ring 1A-P8
12. O-ring BU-P8

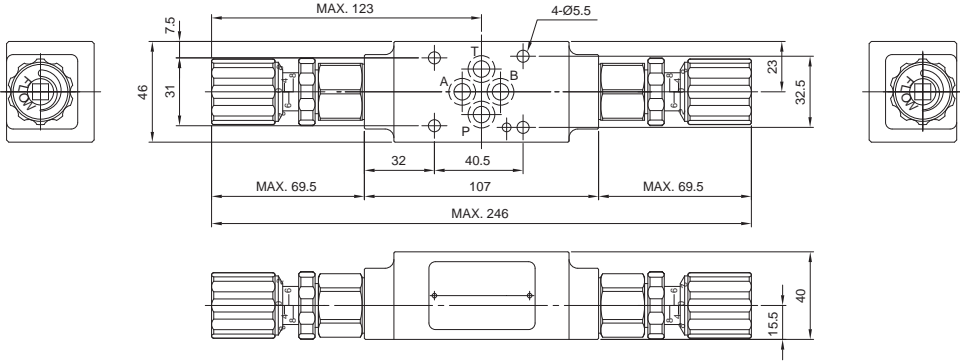
FLOW REGULATOR WITH CHECK VALVE

SANDWICH PLATE DESIGN MTCO2 SIZE 6

DIMENSIONS :

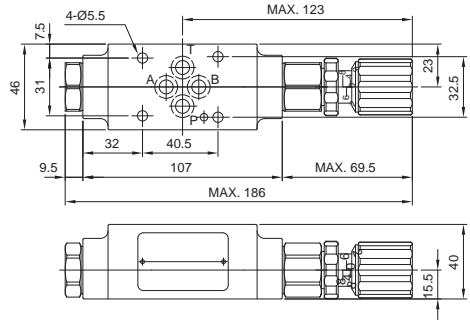
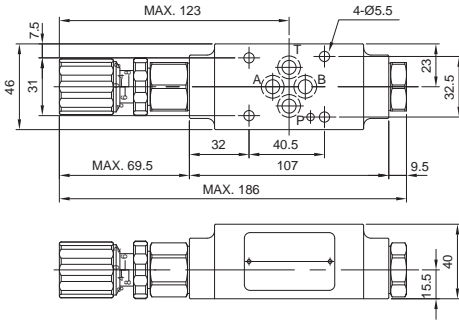
■ MTC-02-W-I-10

3rd angle projection

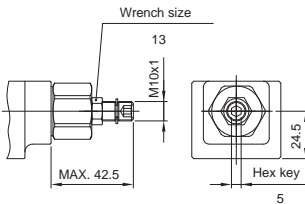


■ MTC-02-A-I-10

■ MTC-02-B-I-10

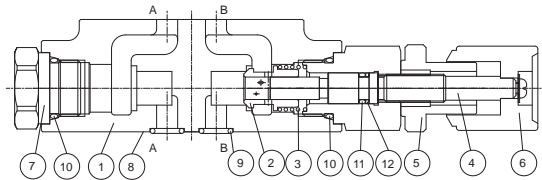


■ MTC-02-*-I-20



CROSS SECTION DRAWING :

■ MTC-02-B-I-10



1. Body
2. Throttle
3. Spring
4. Setting screw
5. Locking nut
6. Adjustment element
7. Nut
8. Connections to DIN 24340 from A6; valve fixing screws M5x85 DIN 912-10.9 tightening torque 8-9 Nm
9. O-ring 1B-P9 for ports A,B,P and T
10. O-ring 1B-P18
11. O-ring 1A-P8
12. O-ring BU-P8